

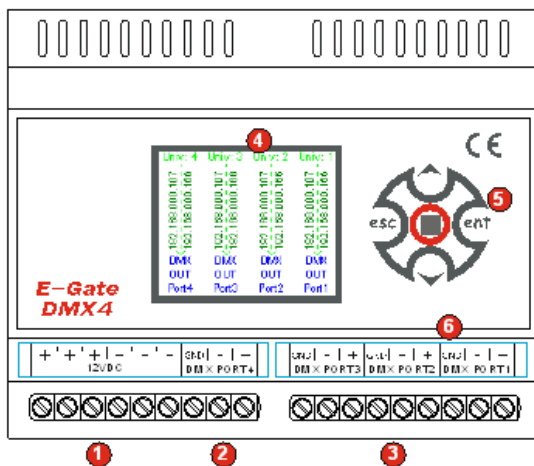
## Data sheet



# E-Gate 4 – Artnet – DMX gate

V1.3

E-Gate DMX4 is a node ("gate") of the Ethernet network converting Art-Net signals to 4 DMX512 ports. All ports conform to the DMX512,DMX512-A standard and can be used both for DMX signal outputs and inputs. The LMQ4 device is mounted in a housing fit for assembly on a standard T35 rail. It is provided with screw joints allowing to attach the power supply and DMX512 signals. It comprises also the Ethernet joint operating in the 10/100BaseTX standard. All configuration steps can be performed with a joystick along with a TFT 1.8-inch color display on the front panel. The gate is supplied with the safe +12VDC. Best suited for converting of Art-Net signals from popular programs to control lighting systems (e.g. MATRIX) as well as for advanced controllers of stage and theater lighting. All DMX ports are optically isolated and are provided with an anti-short circuit and overvoltage protection. The E-Gate has an integration function to integrate up to 2 Art-Net streams available in the HTP and LTP mode. Also screen monitoring of the Ethernet network, DMX channels levels, both in Mono and RGB mode and the kind of the DMX port is possible. Every DMX port is provided with a function for configuration of most important parameters such as: Brake, MAB, MBF. Thus you can adapt a signal to previous DMX devices, still on the market. The E-gate software can be updated via the Ethernet network.



1. Power supply joint (+12V, GND)
2. Output joints, DMX Port 4
3. Output joints, DMX Port 1, 2, 3
4. TFT 1.8" display
5. Configuration joystick
6. ETHERNET 10/100 Base TX joint

**Technical specification:**

Power supply: 12V DC

Power consumption: 400mA max.

Number of DMX ports: 4

DMX joints: Screw type, optical isolated

ART-Net joint: Ethernet RJ45

Weight: 220g

Dimensions:

Width 105 mm (6 rail modules), Height 90 mm, Depth 60 mm

**Notice:**

The manufacturer reserves the right to introduce changes of functioning and operating the device in order to upgrade the product.